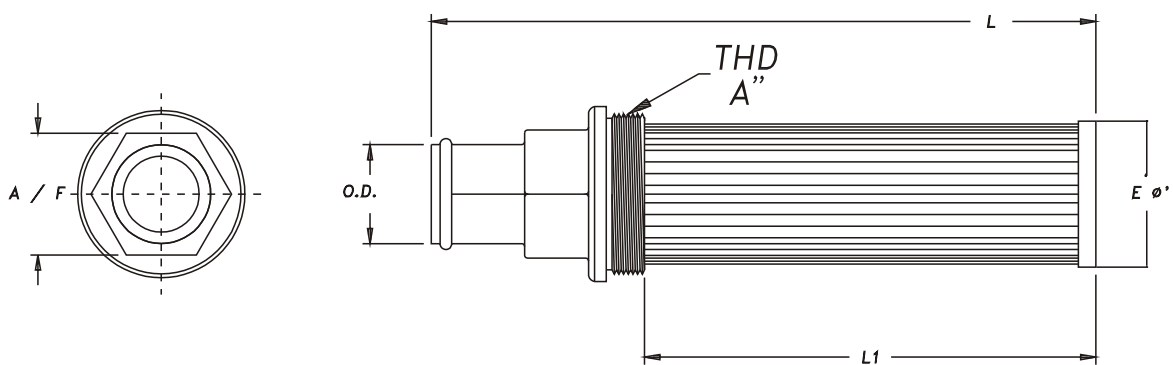
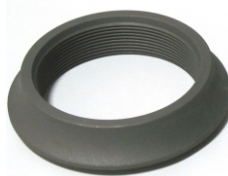


TANK MOUNTED STRAINER - TMH



- TANK MOUNTED REUSABLE STRAINER
- SIDE WALL OR TANK TOP MOUNTING
- FLOWS TO 40 GPM (160 LPM)
- STAINLESS STEEL PLEATED MEDIA
- 100 MESH (149 MICRON) STANDARD
- STEEL HOSE BARB FITTING WITH O Ring



Series	Bushing Size THD. A 12UN-2A	O.D.	LPM / GPM Rating	Screen Area SQ. IN.	Dimensions			A / F	WT KGS
					L	L1	E		
TMH - 04	1-5/16"	25.40	16 / 4	42	140	80	28.5	38.00	0.25
TMH - 10	1-7/8"	25.40	40 / 10	100	236	170	42.0	31.75	0.40
TMH - 20	2-1/2"	31.75	80 / 20	160	254	188	54.0	38.10	0.60
TMH - 25	3-3/8"	31.75	100 / 25	230	262	183	78.0	50.80	1.10
TMH - 30	3-3/8"	38.10	120 / 30	230	262	183	78.0	50.80	1.10
TMH - 40	3-3/8"	50.80	160 / 40	230	275	183	78.0	63.50	1.20

MODEL NO CHANGED WEF JAN 12

MODEL CODE : ASSEMBLY

TMH	- 20		- 149	- RB3
SERIES	SIZE	THREAD / HOSE DIA STD	μ MICRONS	OPTIONAL
TMH	04	16S / 1" Dia	149 - SS 100 MESH STD	RB3 - 3 P.S.I. BYPASS VALVE (OMIT IF NOT REQD.)
	10	24S / 1" Dia	125 - SS 120 MESH	
	20	32S / 1-1/4" Dia	100 - SS 150 MESH	
	25	48S / 1-1/4" Dia	074 - SS 200 MESH	
	30	48S / 1-1/2" Dia	063 - SS 250 MESH	
	30	48S / 2" Dia	Also - 30 / 60 MESH (OMIT IF STD).	

Recommended Weld Flange

To Be Ordered
Separately

TWF - 16 U

TWF - 24 U

TWF - 32 U

TWF - 48 U

TWF - 48 U

TWF - 48 U

CONTACT FACTORY FOR OPTIONAL FEATURE