

RV20 SERIES

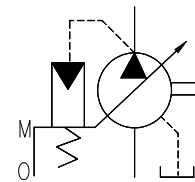
These are variable displacement single vane pumps. they come with inbuilt pressure compensator and flow cut off, which in turn gives good power saving. RV20 series pump is widely used in machine tools.



Specifications

Model Number	Geometric Displacement cm ³ /rev.	Oper. Pressure Kgf/cm ²	Shaft Speed r/min.		Max. Oper. Pressure Kgf/cm ²	Mass Kg.
			Min.	Max.		
RV20-SF-17-※-10	11.3	10~100	800	1800	100	5.7
RV20-SA-17-※-10H01						6.7

Graphic Symbol



Model Number Designation

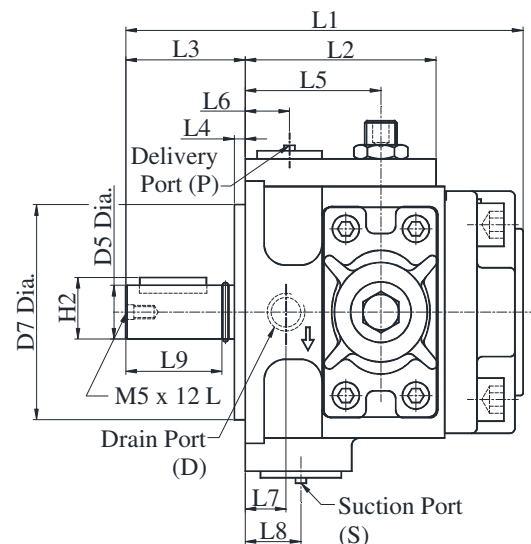
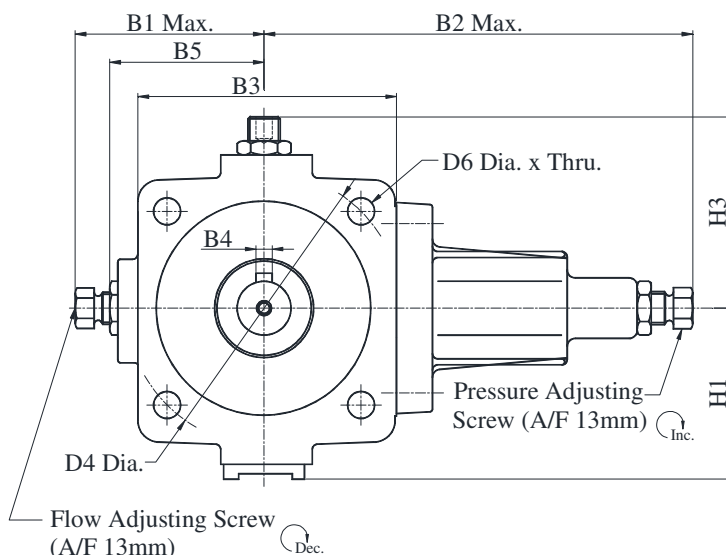
RV20	-S	F	-17	-D	-10
Series Number	Number of Stage	Type of Mounting	Delivery at Unloading L/min. @ 1500 r/min.	Max. Oper. Pressure Kgf/cm ²	Design Number
RV20	S: Single Stage	F: Flange Type (4 bolts Mounting)	17	C: 50	10
		A: Adapter Type (2 Bolt Mounting)		D: 70 E: 100	10H01

* Design numbers subject to change, but installation dimensions remain as shown below.

RV20-SF-17-※-10

- Flange Mounting (4 Bolts)

DIMENSIONS IN MILLIMETRES

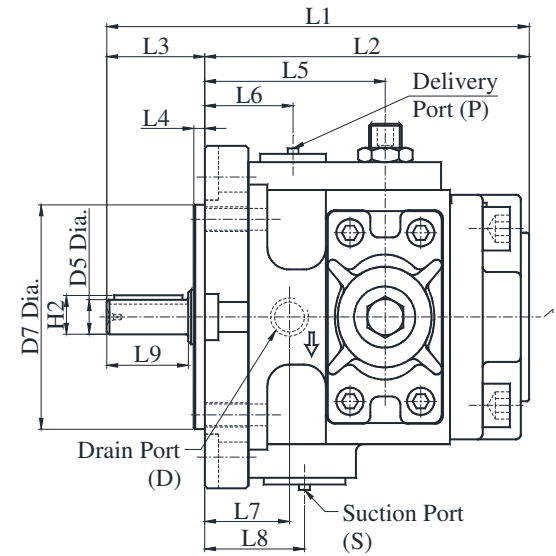
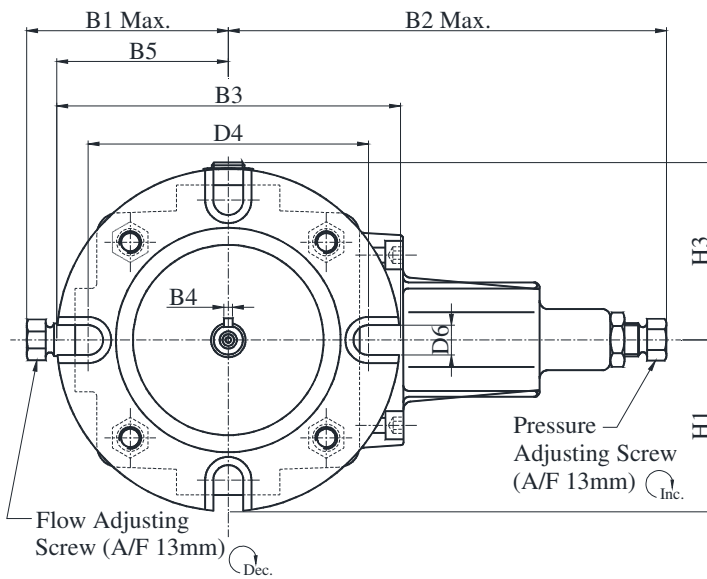


Variable Displacement Vane Pump

RV20-SA-17-※-10H01

Adapter Flange Mounting (2 Bolts)

DIMENSIONS IN MILLIMETRES



Design No.	B1 Max.	B2 Max.	B3	B4	B5	P	S	D	D4±0.1	D5	D6	D7	H1	H2	H3
10	70	160	98	6	57	BSP.F 3/8	BSP.F 1/2	BSP.F 1/4	102	20	10	80	63.5	23	71
10H01	70	160	126	3.18	57	BSP.F 3/8	BSP.F 1/2	BSP.F 1/4	103	12.7	11	82.5	63.5	14.3	71

Design No.	L1	L2	L3	L4	L5	L6	L7	L8	L9
10	149	104	45	4	50	20.5	15	20.5	36
10H01	155	119	36	4	66	36.5	31	36.5	30

Notes

Cleanliness

Contamination level should be within NAS class 9. Use of 100 µm (150 mesh) reservoir type filter on suction side, more than 50mm away from the tank bottom.

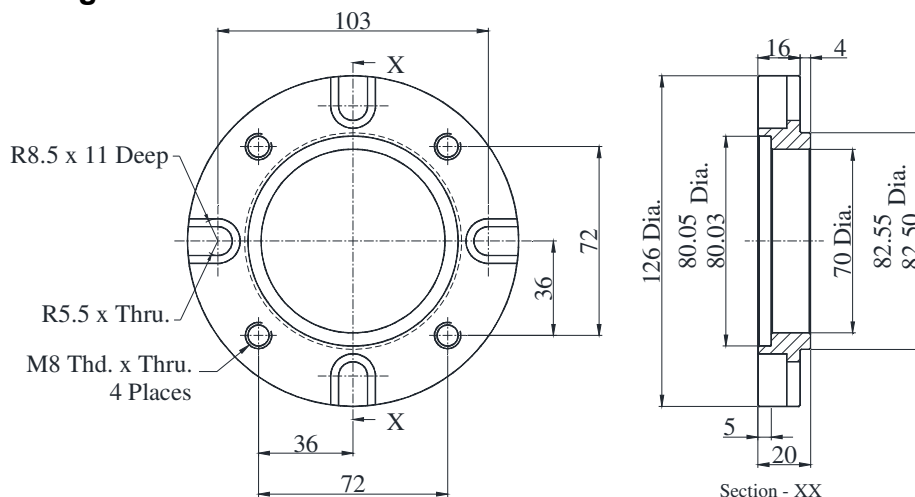
Rotate in-clockwise direction to increase setting pressure.

Alignment of Shaft

Employ a flexible coupling whenever possible & avoid stress from bending or thrust. Maximum permissible misalignment is less than 0.1mm TIR & maximum permissible misangular is less than 0.2°.

* Ensure the pump case does **not drain out** completely.

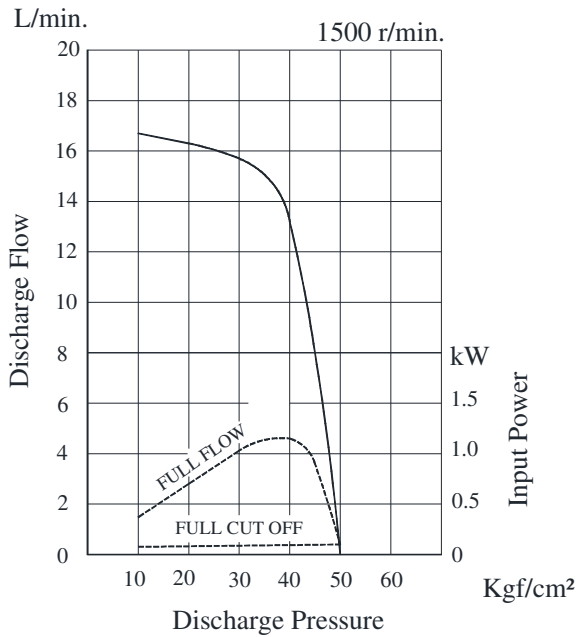
Adapter Flange Details



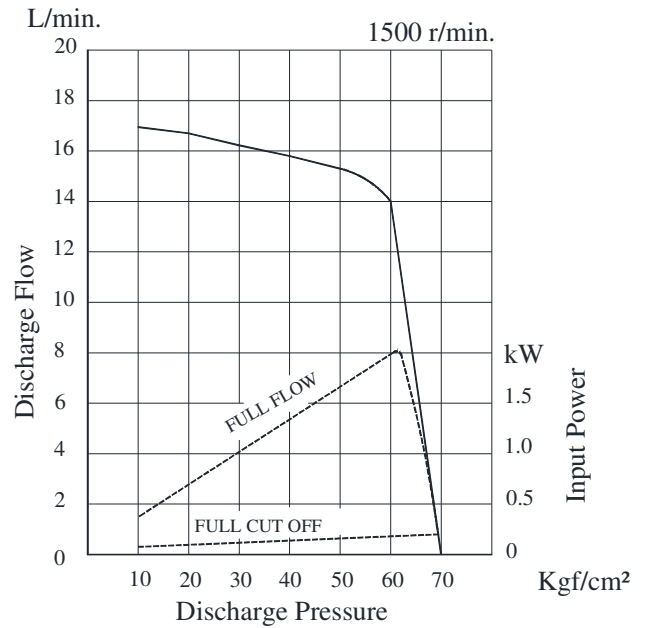
* Included in the H01 Model.

Typical Pump Characteristics Oil Viscosity 41 cSt [ISO VG 32, 50°C]

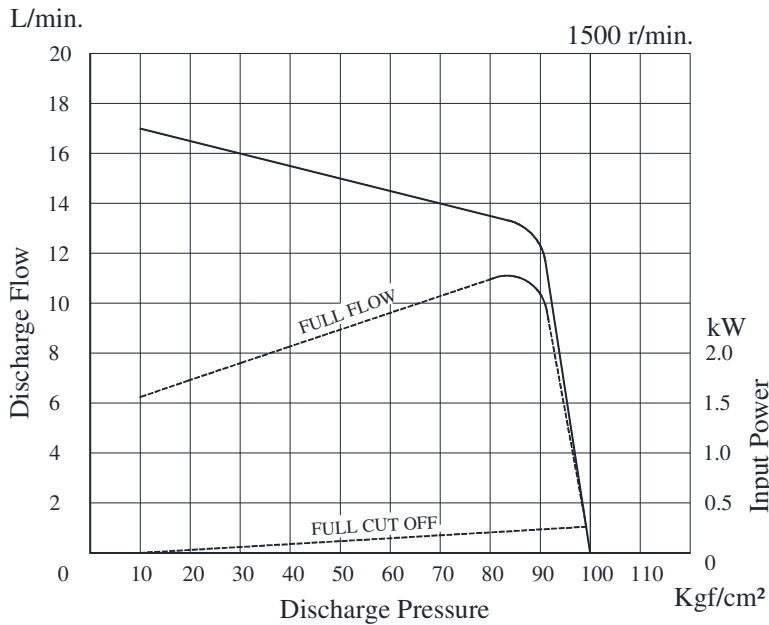
● RV20-SF-17-C-10



● RV20-SF-17-D-10



● RV20-SF-17-E-10



■ Spare Parts List

● List of Seals

Sl. No.	Name of Part	Part Number	Qty.
1.	O-Ring	SO-NA-P7	2
2.	O-Ring	SO-NA-P10A	1
3.	O-Ring	SO-FA-A146	1
4.	Back Up Ring	SO-BB-P7	2
5.	Back Up Ring	SO-BB-P10A	1
6.	Oil Seal	ISD 20356	1

Note: When ordering the seals, please specify the seal kit number KS-RV20-10.